

# INDUSTRIAL LIGHT

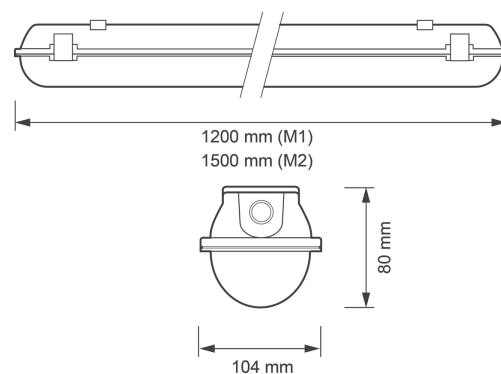
## SIENNA SERIES WATERPROOF BATTEN LIGHT



### KEY FEATURES

- LED IP65 anti-corrosive batten with IK10 impact resistance rating
- Robust injection moulded polycarbonate body
- Clear vapour proof high impact diffuser
- High system efficacy to aid compliance with Building Regulations Part L
- Tridonic LED and driver system
- Opal light pipe for homogeneous output
- Quick release flush mounted fixing clips
- Adjustable 1.5 m suspension kit and corner mount kit available
- Dimming, sensor and emergency options

### TECHNICAL SPECIFICATION



IP65
220-240V
50-60HZ
OPT TEMP -25 to +35°C
PF >0.9
CRI 80
LIFETIME 50,000 HRS
3/5yrs warranty
↑
⚡
⚠
CE
RoHS

**TRIDONIC**  
TECHNOLOGY  
INSIDE

### TECHNICAL SPECIFICATION

MODEL NUMBER	W	lm	K
NR-SIENNA-M1-01-3	16	2,225lm	3,000K
NR-SIENNA-M1-01-4	16	2,325lm	4,000K
NR-SIENNA-M1-02-3	30	4,225lm	3,000K
NR-SIENNA-M1-02-4	30	4,400lm	4,000K
NR-SIENNA-M2-01-3	19	2,775lm	3,000K
NR-SIENNA-M2-01-4	19	2,900lm	4,000K
NR-SIENNA-M2-02-3	36	5,250lm	3,000K
NR-SIENNA-M2-02-4	36	5,500lm	4,000K

### OPTIONS

PLEASE SELECT FROM THE OPTIONS BELOW:

SwitchDIM, DALI or DSI	/ECO
EM conversion *	/EM
Sensor on / off	/SO
4 ft stainless steel clips	SC129/10
5 ft stainless steel clips	SC129/14
Corner mount kit	CMK129
1.5 m suspension kit	SUS129
Sensor programming remote	SPR129

\* Not available with /SO

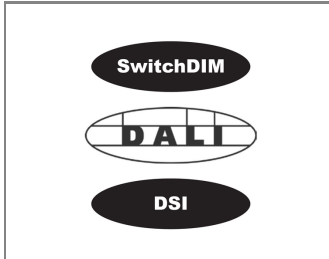
Fabiia, G08, The Light Box, 111 Power Road, Chiswick, London W4 5PY, United Kingdom.  
contact@norse.lighting | www.norse.lighting

# INDUSTRIAL LIGHT

## SIENNA SERIES WATERPROOF BATTEN LIGHT

### OPTIONS

ECO / SwitchDIM,  
DALI or DSI

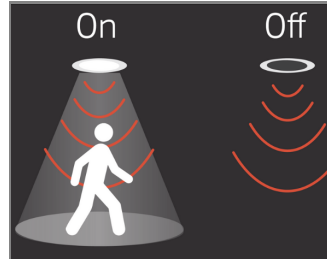


EM / EM conversion



(Not available with /SO)

SO / Sensor on / off



(Not available with /ECO)

### ACCESSORIES

SC129/10



10 pack stainless steel clips  
(1200 mm)

SC129/14



14 pack stainless steel clips  
(1500 mm)

SUS129



1.5 m suspension kit

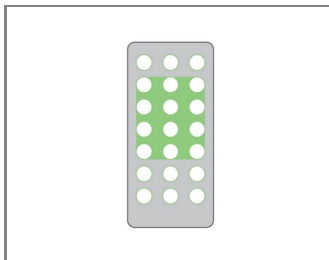
CMK129



Corner mount kit

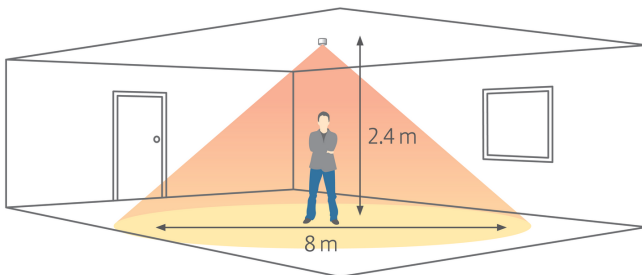
SPR129

Sensor programming remote



(Required to change standard  
sensor settings)

### SO / SENSOR DETECTION RANGE



### ALSO AVAILABLE



**Product variations**  
Other specifications available  
on request

Fabiia, G08, The Light Box, 111 Power Road, Chiswick, London W4 5PY, United Kingdom.  
contact@norse.lighting | www.norse.lighting

Please note: Specification values may change due to rapid development of lighting technology. Data may be rounded up/down for illustrative purposes. Tolerance range of optical and electrical data is +/-10%. We reserve the right to amend or change details without prior notification.