

HIGHBAY LIGHTS

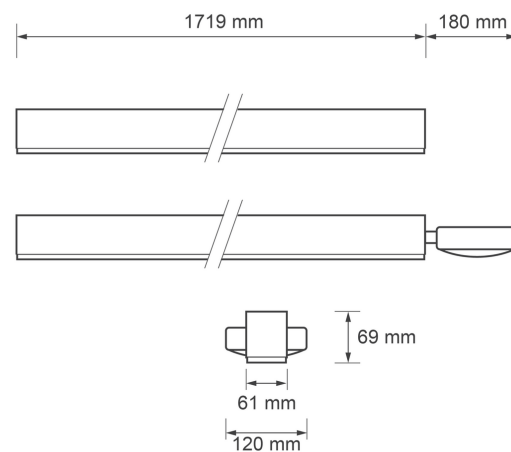
RORY SERIES



KEY FEATURES

- High output SMART LED industrial linear luminaire
- Designed for aisle, warehouse, retail and hall applications
- State-of-the-art Philips LED and driver combination and EasyAir Sensor System Option
- Suspended, surface or BESA mount fixing
- 6 x LED segments, 33 x LEDs per segment
- Long life 65,000h L70/B50
- Ledil 85° + 35° PMMA oval lens
- Excellent colour consistency and flicker-free operation
- Excellent efficacy over 142Llm/Tcw
- Wireless mesh and wireless control option (/EA)
- Motion sensor and daylight harvesting option (/EA)
- Dimmable option (/EA)

DIMENSIONS



IP30
220-240V
50-60HZ
OPT TEMP -25 to +35°C
CRI 80
PF >0.9
LIFETIME 65,000 HRS
3/5yrs warranty
↑
⚙️
ⓧ
CE
RoHS



TECHNICAL SPECIFICATION

MODEL NUMBER	W	lm	K
NR-RORY-M1-01	56	8,025lm	4,000K
NR-RORY-M1-02	87	11,825lm	4,000K

OPTIONS

Medium beam angle 34 Deg	/MB
Wide beam angle 92 Deg	/WB
Emergency conversion	/EMSI
EasyAir sensor system	/EA

Fabiia, G08, The Light Box, 111 Power Road, Chiswick, London W4 5PY, United Kingdom.  
 contact@norse.lighting | www.norse.lighting

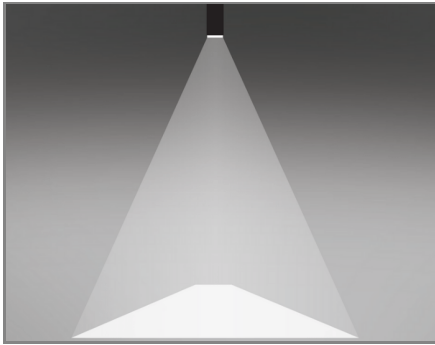
Please note: Specification values may change due to rapid development of lighting technology. Data may be rounded up/down for illustrative purposes. Tolerance range of optical and electrical data is +/-10%. We reserve the right to amend or change details without prior notification.

# HIGHBAY LIGHTS

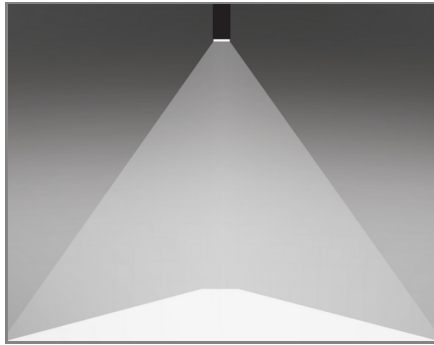
# RORY SERIES

## OPTIONS AND ACCESSORIES

MB / Medium Beam (34°)



WB / Wide Beam (92°)



EMSI /  
EM self test integral indicator



EA /  
EasyAir sensor system



SUS168 - 2M Suspension Kit



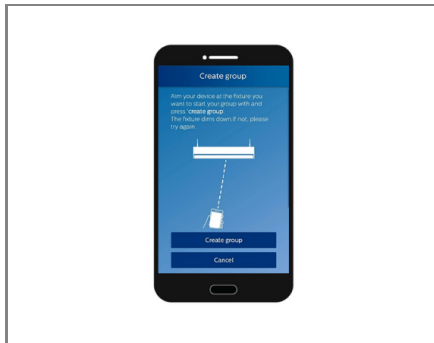
EAWS001 - EasyAir Switch



IRD001 Infrared  
mobile phone dongle



Mobile FieldApp



Available from Google  
Play Store