

ADLEY SERIES WALL LIGHT

KEY FEATURES

High efficiency: 110LM/W.

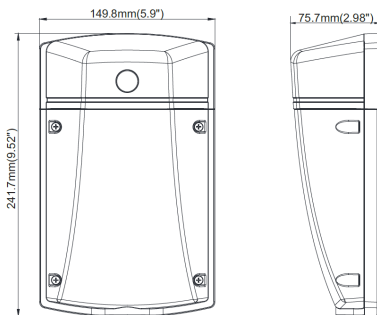
Low power consumption, long lifespan, good stability, high reliability

Novel design, elegant and beautiful, with modern lighting features, easy to install

Widely used as exterior or interior led lighting for hotels, garages, commercial buildings, public areas, schools and hospitals, etc.



DIMENSIONS



TECHNICAL SPECIFICATION

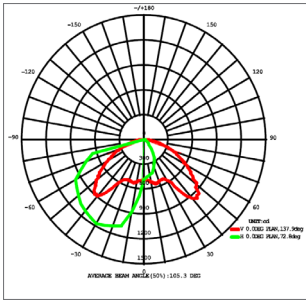
MODEL NUMBER	W	lm	K	A
NR-ADLEY-M1-01	20	2200lm 3300lm	3000K 4000K 5700K	120°
NR-ADLEY-M1-02	30			

Fabiia, G08, The Light Box, 111 Power Road, Chiswick, London W4 5PY, United Kingdom.
contact@norse.lighting | www.norse.lighting

Please note: Specification values may change due to rapid development of lighting technology. Data may be rounded up/down for illustrative purposes. Tolerance range of optical and electrical data is +/-10%. We reserve the right to amend or change details without prior notification.

ADLEY SERIES WALL LIGHT

PHOTOMETRIC DRAWINGS



Fabiia, G08, The Light Box, 111 Power Road, Chiswick, London W4 5PY, United Kingdom.
contact@norse.lighting | www.norse.lighting